



MPC

Multi-Split Systems



The MPC multi-split heat pump system provides quiet, powerful performance with a high efficiency inverter outdoor heat pump, matched with two to five indoor fan coils. Hyper Heat and standard systems are available.

Our advanced inverter technology delivers powerful heating and cooling performance while consuming less energy and using less space than a standard 1:1 split system.

Several styles and sizes of indoor units are available, to suit any application.





Ducted and Non-Ducted units can be combined, for greater design flexibility. Indoor fan coils can be sized up to 30% above the outdoor heat pump capacity.

One outdoor heat pump can power 2 to 5 indoor units, and each indoor unit can be controlled independently for maximum efficiency and comfort. Units can be controlled by wireless remote controllers or programmable wired wall controllers.





Superior Flexibility

System Ratings

High Efficiency

Outdoor HP	Indoor Fan Coil Type	SEER2	EER2	HSPF2	BTU Cooling	BTU Heating	Heating @ 5°F
18MPC2-XX-A	Ducted Only (HCHP)	19.00	12.0	9.8	18,000	19,000	11,510
	Non-Ducted Only (MMHW, CCHP and MMNC)	21.00	12.5	10.2	18,000	19,000	11,510
	Mixed (HCHP, MMHW, CCHP and MMNC)	20.95	12.6	10.2	18,000	19,000	11,510
27MPC3-XX-A	Ducted Only (HCHP and MPHP)	21.00	11.5	9.2	28,000	28,000	15,040
	Non-Ducted Only (MMHW, CCHP and MMNC)	24.60	12.7	9.3	28,000	28,000	15,040
	Mixed (HCHP, MMHW, CCHP, MPHP and MMNC)	22.80	12.2	9.3	28,000	28,000	15,040
36MPC4-XX-A	Ducted Only (HCHP and MPHP)	20.00	11.0	9.2	36,000	37,000	23,380
	Non-Ducted Only (MMHW, CCHP and MMNC)	23.90	11.7	9.3	36,000	37,000	23,380
	Mixed (HCHP, MMHW, CCHP, MPHP and MMNC)	21.95	11.4	9.3	36,000	37,000	23,280
48MPC5-XX-A	Ducted Only (HCHP and MPHP)	20.00	10.8	9.7	48,000	50,000	27,380
	Non-Ducted Only (MMHW, CCHP and MMNC)	21.80	11.7	9.8	48,000	49,000	27,380
	Mixed (HCHP, MMHW, CCHP, MPHP and MMNC)	21.45	11.3	9.6	48,000	49,000	27,380
55MPC5-XX-A	Ducted Only (HCHP and MPHP)	19.00	10.5	8.6	55,000	55,000	31,300
	Non-Ducted Only (MMHW, CCHP and MMNC)	21.30	10.5	9.1	55,000	55,000	31,300
	Mixed (HCHP, MMHW, CCHP, MPHP and MMNC)	20.15	10.5	8.9	55,000	55,000	31,300

Hyper Heat

Outdoor HP	Indoor Fan Coil Type	SEER2	EER2	HSPF2	BTU Cooling	BTU Heating	Heating @ 5°F
19MPC2-HH-A	Ducted Only (HCHP)	18.50	12.0	9.3	19,000	20,000	19,000
	Non-Ducted Only (MMHW, CCHP and MMNC)	22.00	12.5	9.8	19,000	20,000	19,000
	Mixed (HCHP, MMHW, CCHP and MMNC)	20.50	12.3	9.6	19,000	20,000	19,000
28MPC3-HH-A	Ducted Only (HCHP and MPHP)	20.00	11.5	9.5	28,000	28,000	23,100
	Non-Ducted Only (MMHW, CCHP and MMNC)	23.00	12.5	10.6	28,000	28,000	23,100
	Mixed (HCHP, MMHW, CCHP, MPHP and MMNC)	21.50	12.1	10.1	28,000	28,000	23,100
36MPC4-HH-A	Ducted Only (HCHP and MPHP)	19.00	11.3	10.0	36,000	37,000	29,720
	Non-Ducted Only (MMHW, CCHP and MMNC)	22.20	13.6	10.3	36,000	37,000	29,720
	Mixed (HCHP, MMHW, CCHP, MPHP and MMNC)	20.60	12.7	10.2	36,000	37,000	29,720
48MPC5-HH-A	Ducted Only (HCHP and MPHP)	20.90	11.7	8.9	47,000	49,000	44,540
	Non-Ducted Only (MMHW, CCHP and MMNC)	21.80	11.7	9.8	48,000	49,000	44,540
	Mixed (HCHP, MMHW, CCHP, MPHP and MMNC)	21.35	11.7	9.4	48,000	49,000	44,540
55MPC5-HH-A	Ducted Only (HCHP and MPHP)	18.80	10.5	9.3	55,000	55,000	53,120
	Non-Ducted Only (MMHW, CCHP and MMNC)	20.00	10.5	9.3	55,000	55,000	53,120
	Mixed (HCHP, MMHW, CCHP, MPHP and MMNC)	19.40	10.5	9.3	55,000	55,000	53,120

Indoor units combined can be sized up to 30% above the outdoor unit size. Please refer to combo tables.

High Wall

Model Name		6MMHW0-HP	9MMHW0-HP	12MMHW0-HP	18MMHW0-HP	24MMHW0-HP
Performance						
Cooling capacity	Btu/h	6,000	9,000	12,000	18,000	23,400
Heating capacity	Btu/h	6,000	9,500	13,000	19,000	24,000
Power	V/Hz/f	208~230/60/1	208~230/60/1	208~230/60/1	208~230/60/1	208~230/60/1
Power input	W	25	25	25	35	58
Rated current	A	0.11	0.11	0.11	0.17	0.5
Degrees of protection		IPX0	IPX0	IPX0	IPX0	IPX0
Air flow (Hi/Med/Low)	m3/h	374/172	569/389/299	569/389/299	890/640/520	1038/704/542
	CFM	220/156/101	335/229/176	335/229/176	524/376/306	611/414/319
Noise Level (H/M/L)	dB(A)	36/33/21	38/34/23	38/34/23	46.5/43/32.5	44/39.5/34
Net Dimension (WxDxH)	mm	848.4x233.2x298.6	848.4x233.2x298.6	848.4x233.2x298.6	1017.4x246.9x320	1190x284.6x370.6
	inch	33.4x9.18x11.76	33.4x9.18x11.76	33.4x9.18x11.76	40.06x9.72x12.6	46.85x11.2x14.59
Net Weight	kg	9	10.3	10.3	12.3	19.8
	lbs	19.84	22.7	22.7	27.12	43.65
Package Dimension (WxDxH)	mm	920x310x370	920x310x370	920x310x370	1095x325x400	1280x360x455
	inch	36.2x12.2x14.6	36.2x12.2x14.6	36.2x12.2x14.6	43.1x12.8x15.75	50.4x14.2x17.9
Gross Weight	kg	11	13.1	13.1	16.2	24.9
	lbs	24.25	28.88	28.88	35.71	54.9
Diameter(Liquid)	mm	6.35	6.35	6.35	6.35	9.52
	inch	1/4	1/4	1/4	1/4	3/8
Diameter(Suction)	mm	9.52	9.52	9.52	12.7	15.88
	inch	3/8	3/8	3/8	1/2	5/8



6MMHW0-HP-A
9MMHW0-HP-A
12MMHW0-HP-A



18MMHW0-HP-A
24MMHW0-HP-A

Four Way Cassette

Model Name		9CCHP0-C-M-A	12CCHP0-C-M-A	18CCHP0-C-M-A	24CCHP0-C-M-A
Performance					
Cooling capacity	Btu/h	9,000	12,000	16,000	24,000
Heating capacity	Btu/h	10,000	12,000	18,000	25,000
Power	V/Hz/f	208~230/60/1	208~230/60/1	208~230/60/1	208~230/60/1
Power input	W	45	45	45	72
Rated current	A	0.25	0.25	1.5	2
Degrees of protection		IPX4	IPX0	IPX0	IPX0
Air flow (Hi/Med/Low)	m3/h	600/520/460	644/525/444	955/824/746	1200/1079/930
	CFM	353/306/271	379/309/261	562/485/439	706/635/547
Noise Level (H/M/L)	dB(A)	37.5/34.5/31.5	40.5/35.5/31.5	43.5/38.5/35.5	49/46/43
Net Dimension (WxDxH)	mm	570x570x260	570x570x260	570x570x260	830x830x205
	inch	22.44x22.44x10.24	22.44x22.44x10.24	22.44x22.44x10.24	32.68x32.68x8.07
Net Weight	kg	14.5	16	16.2	21.4
	lbs	32	35.3	35.7	47.2
Package Dimension (WxDxH)	mm	662x662x317	662x662x317	662x662x317	910x910x250
	inch	26x26x12.5	26x26x12.5	26x26x12.5	35.8x35.8x9.85
Gross Weight	kg	17.3	18.6	21.3	25.1
	lbs	38.14	41	47	55.4
Diameter(Liquid)	mm	6.35	6.35	6.35	9.52
	inch	1/4	1/4	1/4	3/8
Diameter(Gas)	mm	9.52	12.7	12.7	15.88
	inch	3/8	1/2	1/2	5/8



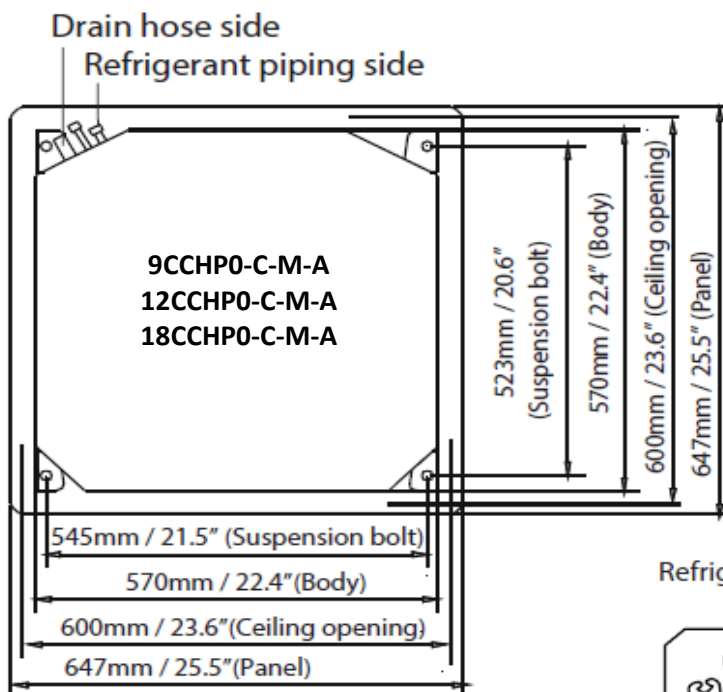
9CCHP0-C-M-A
12CCHP0-C-M-A



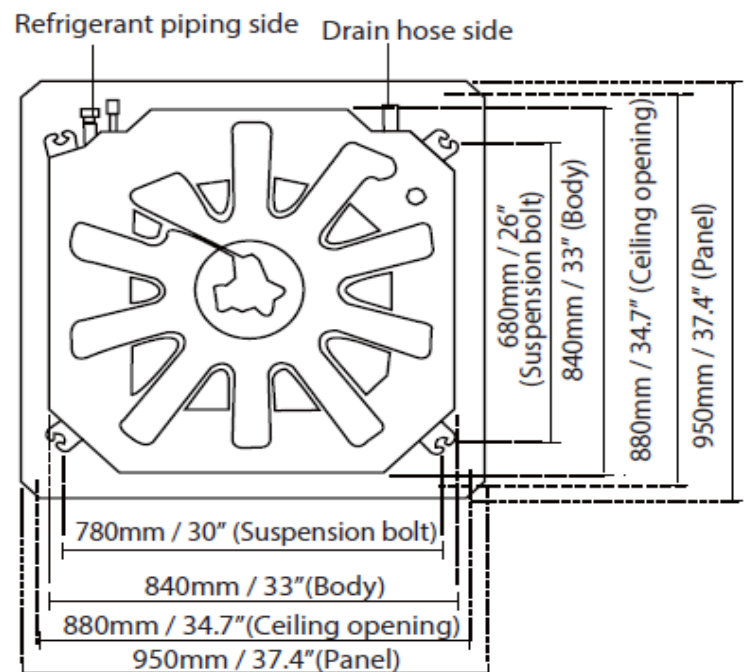
24CCHP0-C-M-A

Four Way Cassette Ceiling Openings

Model Name		9CCHP0-C-M-A	12CCHP0-C-M-A	18CCHP0-C-M-A	24CCHP0-C-M-A
Unit Dimensions (WxDxH)	mm	570x570x260	570x570x260	570x570x260	830x830x205
	inch	22.44x22.44x10.24	22.44x22.44x10.24	22.44x22.44x10.24	32.68x32.68x8.07
Ceiling Opening Dimensions (WxD)	mm	600x600	600x600	600x600	840x840
	inch	23.6x23.6	23.6x23.6	23.6x23.6	34.7x34.7

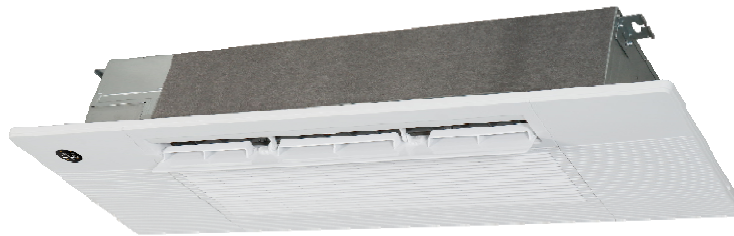


24CCHP0-C-M-A



One Way Cassette

Model Name		6MMNC0-HP-A	9MMNC0-HP-A	12MMNC0-HP-A	18MMNC0-HP-A
Performance					
Cooling capacity	Btu/h	6,500	9,000	12,000	16,700
Heating capacity	Btu/h	7,100	10,900	12,500	20,000
Power	V/Hz/f	208~230/60/1	208~230/60/1	208~230/60/1	208~230/60/1
Power input	W	826	885	885	2045
Rated current	A	6.4	8.8	8.8	14.25
Degrees of protection		IPX4	IPX0	IPX0	IPX0
Air flow (Hi/Med/Low)	m3/h	500/440/400	500/440/400	530/480/420	598/510/352
	CFM	294/259/235	294/259/235	312/282/247	352/300/207
Noise Level (H/M/L)	dB(A)	37.5/35.5/32.5	37.5/35.5/32.5	38.5/37/32.5	44/40.5/35
Net Dimension (WxDxH)	mm	1278x335x228	1278x335x228	1278x335x228	1278x335x228
	inch	50.31x13.19x8.98	50.31x13.19x8.98	50.31x13.19x8.98	50.31x13.19x8.98
Net Weight	kg	19.9	19.9	20.5	20.5
	lbs	43.87	43.87	45.19	45.19
Package Dimension (WxDxH)	mm	1463x571x575	1463x571x575	1463x571x575	1463x571x575
	inch	57.6x22.5x22.6	57.6x22.5x22.6	57.6x22.5x22.6	57.6x22.5x22.6
Gross Weight	kg	36.9	36.9	37.6	37.6
	lbs	81.35	81.35	82.89	82.89
Diameter(Liquid)	mm	6.35	6.35	6.35	6.35
	inch	1/4	1/4	1/4	1/4
Diameter(Gas)	mm	9.52	9.52	9.52	9.52
	inch	3/8	3/8	3/8	3/8



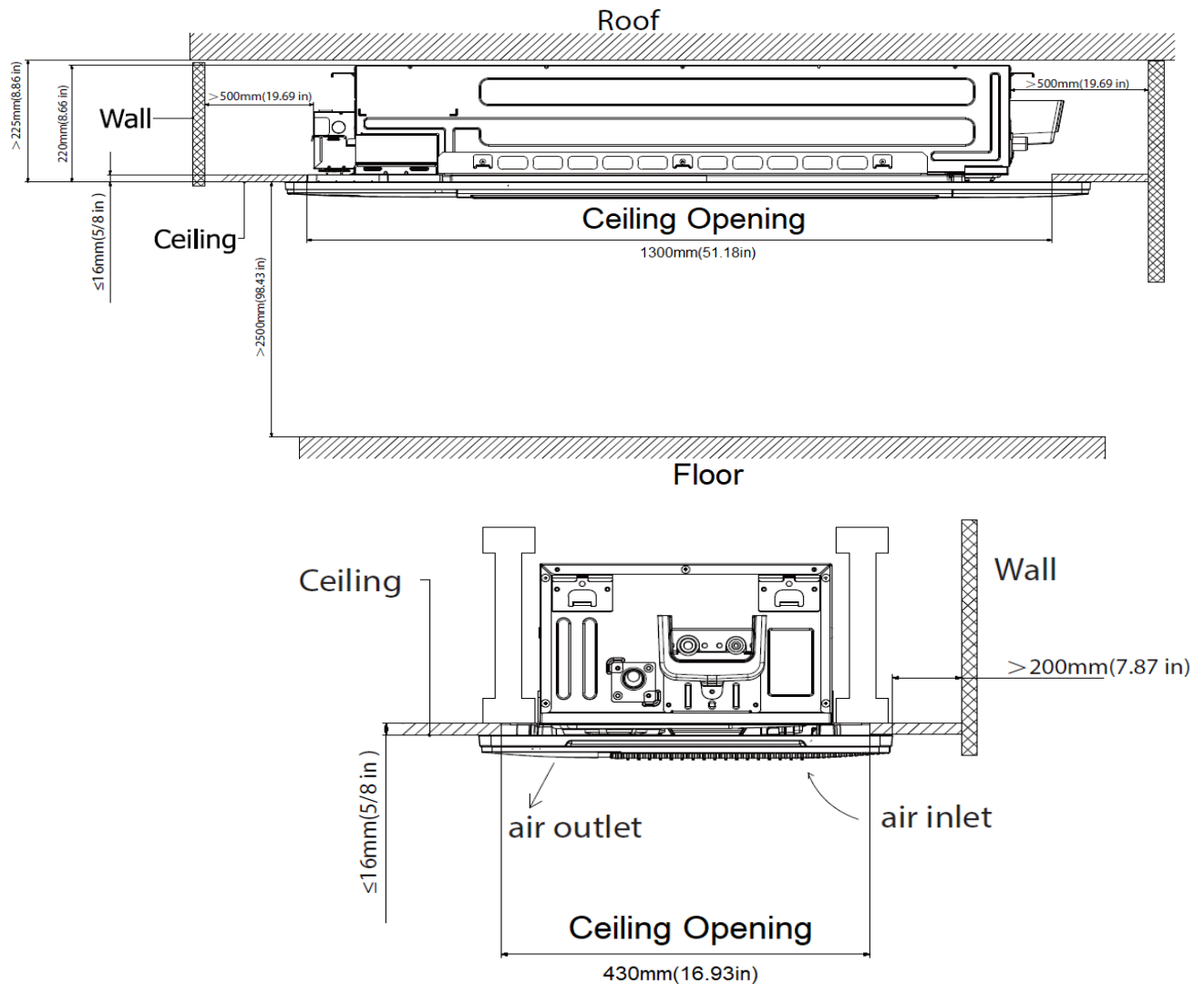
6MMNC0-HP-A
 9MMNC0-HP-A
 12MMNC0-HP-A
 18MMNC0-HP-A

One Way Cassette Ceiling Openings

Model Name		6MMNC0-HP-A	9MMNC0-HP-A	12MMNC0-HP-A	18MMNC0-HP-A
Net Dimensions (WxDxH)	mm	1278x335x228	1278x335x228	1278x335x228	1278x335x228
	inch	50.31x13.19x8.98	50.31x13.19x8.98	50.31x13.19x8.98	50.31x13.19x8.98
Ceiling Opening Dimensions (WxD)	mm	1300x430	1300x430	1300x430	1300x430
	inch	51.18x16.93	51.18x16.93	51.18x16.93	51.18x16.93

Note:

All MMNC series units have the same Ceiling Opening Dimensions

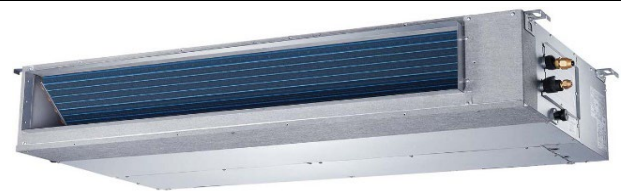


Horizontal Ducted Soffit

Model Name		9HCHP0-C-M-A	12HCHP0-C-M-A	18HCHP0-C-M-A	24HCHP0-C-M-A	36HCHP0-C-M-A
Performance						
Cooling capacity	Btu/h	9,000	12,000	16500	24,000	24,000
Heating capacity	Btu/h	10000	12,000	19000	24,000	24,000
Power	V/Hz/f	208~230/60/1	208~230/60/1	208~230/60/1	208~230/60/1	208~230/60/1
Power input	W	667	960	1320	1920	1920
Rated current	A	3.05	4.4	6.0	8.5	8.5
Air flow (H/M/L)	m3/h	600 / 480 / 104	600 / 480 / 104	900 / 764 / 630	1318 / 1179 / 739	1319 / 1179 / 739
	CFM	353 / 283 / 177	353 / 283 / 177	530 / 450 / 371	776 / 694 / 435	777 / 694 / 435
External Static Pressure Range	Pascal	0 - 50	0 - 50	0 - 100	0 - 160	1 - 160
	in/WG	0 - 0.20	0 - 0.20	0 - 0.40	0 - 0.64	1 - 0.64
Noise Level (Sound Pressure)	dB(A) (H/M/L)	38 / 32 / 25	38 / 33.5 / 26	39 / 37 / 35	44 / 40 / 36	45 / 40 / 36
Net Dimension (WxDxH)	mm	701x450x200	701x450x200	879 x 673 x 211	1100 x 775 x 250	1101 x 775 x 250
	inch	27.6 x 17.7 x 7.9	27.6 x 17.7 x 7.9	34.6 x 26.5 x 8.3	43.3 x 30.5 x 9.8	43.3 x 30.5 x 9.9
Net Weight	kg	17.0	17.0	24.5	39.5	39.5
	lbs	37.5	37.5	54.0	87.0	87.0
Package Dimension (WxDxH)	mm	861 x 541 x 275	861 x 541 x 275	1070 x 724 x 270	1306 x 805 x 305	1307 x 805 x 305
	inch	33.9 x 21.3 x 10.8	33.9 x 21.3 x 10.8	42.1 x 28.5 x 10.6	51.4 x 31.7 x 12	51.4 x 31.7 x 13
Gross Weight	kg	21.9	21.9	30.0	35.0	35.0
	lbs	48.3	48.3	66.0	77.2	77.2
Diameter(Liquid)	mm	6.35	6.35	6.35	6.35	6.35
	inch	1/4	1/4	1/4	1/4	1/5
Diameter(Gas)	mm	9.52	12.7	12.7	12.7	12.7
	inch	3/8	1/2	1/2	1/2	1/2



9HCHP0-C-M-A
12HCHP0-C-M-A



24HCHP0-C-M-A



18HCHP0-C-M-A

Horizontal Ducted Soffit Solid Ceiling Access Panels

PANEL MODEL NUMBER	INSIDE FRAME OPENING		OUTSIDE FRAME OPENING		FAN COIL MODEL
	A	B	E	F	
CAP4824-S	48	24	51	27	9HCHP0-C, 12HCHP0-C
CAP5531-S	55	31	58	34	18HCHP0-C
CAP6435-S	64	35	67	38	24HCHP0-C
CAP7435-S	74	35	77	38	36HCHP0-C

Design

- Interior Panel Braces
- Integrated Clips in Panel Frame
- Single Piece Wrapped Frame with 90° Squared Corner Seams
- Captive Screw Retainers

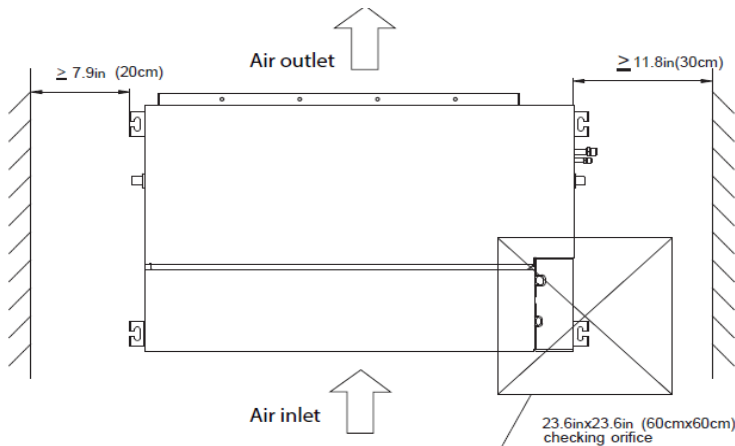


Materials

- Heavy Gauge Galvanized Steel Construction with Off-White Powder Paint Finish
- Stainless Steel Screws with Protective Washers

Packaging

- Individually Wrapped and Individually Packaged with Heavy-Duty Cartons
- Interior Glossy Label with Panel Model Number and Barcode



Size the Ceiling Opening to the Inside Frame Opening (shown above), to allow for approximately 20 inches for hanging and access to refrigerant connections, drain connections and electrical.

Multi-Position

Model Name		18MPHP0-S-A	24MPHP0-S-A	30MPHP0-S-A	36MPHP0-S-A
Performance					
Cooling capacity	Btu/h	18,000	23,000	30,000	36,000
Heating capacity	Btu/h	19,000	26,000	30,000	38,000
Power	V/Hz/f	208~230/60/1	208~230/60/1	208~230/60/1	208~230/60/1
Power input	W	1643	1965	2500	4400
Rated current	A	9.3	8.7	11.1	19.8
Air flow (H/M/L)	m3/h	1050/979/899/829	1400/1290/1179/1069	1679/1519/1369/1210	2018/1838/1650/1470
	CFM	618/576/529/488	824/759/694/629	988/894/806/712	1188/1082/971/865
External Static Pressure Range	Pascal	0 - 249	0 - 249	0 - 249	0 - 249
	in/WG	0 - 1.00	0 - 1.00	0 - 1.00	0 - 1.00
Noise Level (Sound Pressure)	dB(A) (H/M/L)	42 / 40 / 35	43 / 40.5 / 35	45 / 42.5 / 38	46.5 / 43 / 38
Net Dimension (WxDxH)	mm	534 x 445 x 1143	534 x 445 x 1143	534 x 534 x 1245	534 x 534 x 1245
	inch	21.02 x 17.52 x 45.0	21.02 x 17.52 x 45.0	21.02 x 21.02 x 49.02	21.02 x 21.02 x 49.02
Net Weight	kg	48.4	48.4	58.8	58.8
	lbs	106.7	106.7	129.6	129.6
Package Dimension (WxDxH)	mm	675 x 530 x 1235	676 x 530 x 1235	675 x 620 x 1335	675 x 620 x 1335
	inch	26.57 x 20.87 x 48.62	26.57 x 20.87 x 48.63	26.57 x 24.41 x 52.56	26.57 x 24.41 x 52.56
Gross Weight	kg	57.7	57.7	69.4	69.4
	lbs	127.21	127.21	153.0	153.0
Diameter(Liquid)	mm	6.35	9.52	9.52	9.52
	inch	1/4	3/8	3/8	3/8
Diameter(Gas)	mm	12.7	15.9	15.9	15.9
	inch	1/2	5/8	5/8	5/8





MPC-XX

High Efficiency Outdoor Multi-Split Heat Pump

Model Name		18MPC2-XX-A	27MPC3-XX-A	36MPC4-XX-A	48MPC5-XX-A	55MPC5-XX-A
Performance						
Rated Cooling Capacity (95°F)	Btu/h	18,000	28000	36,000	48,000	55,000
Cooling Capacity Range (95°F)	Btu/h	5,650 - 22,000	9,838 - 30,438	8,209 -40,555	19,000 - 50,000	19,400 - 57,300
Rated Heating Capacity (47°F)	Btu/h	19,000	28,000	37,000	48,000	55,000
Heating Capacity Range (47°F)	Btu/h	5,050 - 24,400	8,218 - 31,000	8,008 - 44,632	12,500 - 52,000	12,500 - 60,000
Sound						
Outdoor Noise Level (Full)	dB(A)	58.5	61	63	62	62
Electrical						
Power	V/Hz/f	208~230/60/1	208~230/60/1	208~230/60/1	208~230/60/1	208~230/60/1
Rated Current Cooling	A	6.2	11.0	13.6	16.8	23.5
Rated Input Power Cooling	W	1420	2240	3125	3840	5238
Rated Current Heating	A	6.3	10.5	13.0	17.1	22.5
Rated Input Power Heating	W	1420	2200	3000	3910	5000
Minimum Circuit Ampacity	A	18	24.5	25	40	40
Max Breaker Size	A	25	30	40	60	60
Outdoor Operating Temp Range						
Cooling	°F	-13~122	-13~122	-13~122	-22~122	-13~122
	°C	-25~50	-25~50	-25~50	-30~50	-25~50
Heating	°F	-13~75	-13~75	-13~75	-22~75	-13~75
	°C	-25~24	-25~24	-25~24	-30~24	-25~24
Linesets						
Liquid Line (Qty)	inch	1/4 (2)	1/4 (3)	1/4 (4)	1/4 (5)	1/4 (5)
	mm	6.35 (2)	6.35 (3)	6.35 (4)	6.35 (5)	6.35 (5)
Suction Line (Qty)	inch	3/8 (2)	3/8 (3)	3/8 (3) & 1/2(1)	3/8 (3) & 1/2(2)	3/8 (3) & 1/2(2)
	mm	9.52 (2)	9.52 (3)	9.52(3) & 12.7(1)	9.52(3) & 12.7(2)	9.52(3) & 12.7(2)
Total Max Pipe Length	ft (m)	131 (40)	197 (60)	262 (80)	262 (80)	262 (80)
Each Max Pipe Length	ft (m)	82 (25)	98 (30)	115 (35)	115 (35)	115 (35)
Max Lift (IDU above ODU)	ft (m)	49 (15)	49 (15)	49 (15)	49 (15)	49 (15)
Max Lift (ODU above IDU)	ft (m)	49 (15)	49 (15)	49 (15)	49 (15)	49 (15)
Pre-Charge Pipe Length	ft (m)	49 (15)	74 (22.5)	98 (30)	123 (37.5)	123 (37.5)
Additional Charge Per ft	oz	0.161	0.161	0.161	0.161	0.161
Physical Data						
Unit Dimensions (H x W x D)	inch	35.04X13.46X26.5	37.24x16.14x31.89	37.24x16.14x31.89	37.48x16.34x52.48	37.48x16.34x52.48
	mm	890X342X673	946x410x810	946x410x810	952x415x1333	952x415x1333
Unit Weight	lb (kg)	100 (45)	140 (63)	170 (77)	226 (102)	226 (102)



18MPC2-XX-A



27MPC3-XX-A



36MPC4-XX-A
48MPC5-XX-A
55MPC5-XX-A



MPC-HH

Hyper Heat Outdoor Multi-Split Heat Pump

Model Name		19MPC2-HH-A	28MPC3-HH-A	36MPC4-HH-A	48MPC5-HH-A	55MPC5-HH-A
Performance						
Rated Cooling Capacity (95°F)	Btu/h	19,000	28,000	36,000	48,000	55,000
Cooling Capacity Range (95°F)	Btu/h	5,500 - 25,000	7,995 - 32,826	17,900 - 42,000	19,300 - 51,000	19,000 - 58,000
Rated Heating Capacity (47°F)	Btu/h	20,000	28,000	36,500	49,000	55,000
Heating Capacity Range (47°F)	Btu/h	8,100 - 29,700	5,035 - 38,712	12,500 - 49,000	11,500 - 58,000	12,500 - 57,900
Sound						
Outdoor Noise Level (Full)	dB(A)	61	63	62	65	63
Electrical						
Power	V/Hz/f	208~230/60/1	208~230/60/1	208~230/60/1	208~230/60/1	208~230/60/1
Rated Current Cooling	A	9.1	12.4	11.8	18.0	23.5
Rated Input Power Cooling	W	1520	2240	2650	4150	5238
Rated Current Heating	A	9.4	10.5	12.2	17.8	23.5
Rated Input Power Heating	W	1725	2240	2780	4000	5238
Minimum Circuit Ampacity	A	20	25	40	40	40
Max Breaker Size	A	25	40	60	60	60
Outdoor Operating Temp Range						
Cooling	°F	-22~122	-22~122	-22~122	-22~122	-13~122
	°C	-30~50	-30~50	-30~50	-30~50	-25~50
Heating	°F	-22~75	-22~75	-22~75	-22~75	-13~75
	°C	-30~24	-30~24	-30~24	-30~24	-25~24
Linesets						
Liquid Line (Qty)	inch	1/4 (2)	1/4 (3)	1/4 (4)	1/4 (5)	1/4 (5)
	mm	6.35 (2)	6.35 (3)	6.35 (4)	6.35 (5)	6.35 (5)
Suction Line (Qty)	inch	3/8 (2)	3/8 (3)	3/8 (3) & 1/2(1)	3/8 (3) & 1/2(2)	3/8 (3) & 1/2(2)
	mm	9.52 (2)	9.52 (3)	9.52(3) & 12.7(1)	9.52(3) & 12.7(2)	9.52(3) & 12.7(2)
Total Max Pipe Length	ft (m)	131 (40)	197 (60)	262 (80)	262 (80)	262 (80)
Each Max Pipe Length	ft (m)	82 (25)	98 (30)	115 (35)	115 (35)	115 (35)
Max Lift (IDU above ODU)	ft (m)	49 (15)	49 (15)	49 (15)	49 (15)	49 (15)
Max Lift (ODU above IDU)	ft (m)	49 (15)	49 (15)	49 (15)	49 (15)	49 (15)
Pre-Charge Pipe Length	ft (m)	49 (15)	74 (22.5)	98 (30)	123 (37.5)	123 (37.5)
Additional Charge Per ft	oz	0.161	0.161	0.161	0.161	0.161
Physical Data						
Unit Dimensions (W x D x H)	inch	37.24x16.14x31.89	37.24x16.14x31.89	37.48x16.34x52.48	37.48x16.34x52.48	37.48x16.34x52.48
	mm	946x410x810	946x410x810	952x415x1333	952x415x1333	952x415x1333
Unit Weight	lb (kg)	138 (63)	168 (76)	223 (101)	238 (108)	238 (108)



19MPC2-HH-A
28MPC3-HH-A



36MPC4-HH-A
48MPC5-HH-A
55MPC5-HH-A

Combination Table 18MPC2-XX

Two Units
6+6
6+9
6+12
9+9
9+12
12+12

Combination Table 19MPC2-HH

Two Units
6+6
6+9
6+12
6+18
9+9
9+12
12+12

Combination Table 27MPC3-XX

Two units	Three units	
6+12	6+6+6	6+12+12
6+18	6+6+9	6+12+18
9+9	6+6+12	9+9+9
9+12	6+6+18	9+9+12
9+18	6+9+9	9+9+18
12+12	6+9+12	9+12+12
12+18	6+9+18	12+12+12
18+18		

Combination Table 28MPC3-HH

Two units	Three units	
6+12	6+6+6	6+9+18
6+18	6+6+9	6+12+12
9+9	6+6+12	9+9+9
9+12	6+6+18	9+9+12
9+18	6+6+24	9+9+18
9+24	6+9+9	9+12+12
12+12	6+9+12	12+12+12
12+18		
12+24		
18+18		

Combination Table 36MPC4-XX

Two units	Three units		Four units	
6+18	6+6+12	9+9+12	6+6+6+6	6+9+9+18
6+24	6+6+18	9+9+18	6+6+6+9	6+9+9+24
9+18	6+6+24	9+9+24	6+6+6+12	6+9+12+12
9+24	6+9+12	9+12+12	6+6+6+18	6+9+12+18
12+12	6+9+18	9+12+18	6+6+6+24	6+12+12+12
12+18	6+9+24	9+12+24	6+6+9+9	6+12+12+18
12+24	6+12+12	9+18+18	6+6+9+12	9+9+9+9
18+18	6+12+18	12+12+12	6+6+9+18	9+9+9+12
18+24	6+12+24	12+12+18	6+6+9+24	9+9+9+18
24+24	6+18+18	12+12+24	6+6+12+12	9+9+12+12
	6+18+24	12+18+18	6+6+12+18	9+9+12+18
	9+9+9		6+6+12+24	9+12+12+12
			6+9+9+9	12+12+12+12
			6+9+9+12	

Combination Table 36MPC4-HH

Two units	Three units		Four units	
6+18	6+6+12	9+9+9	6+6+6+6	6+9+9+12
6+24	6+6+18	9+9+12	6+6+6+9	6+9+9+18
6+30	6+6+24	9+9+18	6+6+6+12	6+9+9+24
9+18	6+6+30	9+9+24	6+6+6+18	6+9+12+12
9+24	6+9+12	9+9+30	6+6+6+24	6+9+12+18
9+30	6+9+18	9+12+12	6+6+6+30	6+12+12+12
12+12	6+9+24	9+12+18	6+6+9+9	6+12+12+18
12+18	6+9+30	9+12+24	6+6+9+12	9+9+9+9
12+24	6+12+12	9+18+18	6+6+9+18	9+9+9+12
12+30	6+12+18	12+12+12	6+6+9+24	9+9+9+18
18+18	6+12+24	12+12+18	6+6+12+12	9+9+12+12
18+24	6+12+30	12+12+24	6+6+12+18	9+9+12+18
18+30	6+18+18	12+18+18	6+6+12+24	9+12+12+12
24+24	6+18+24		6+9+9+9	12+12+12+12



MPC-SYS

Combination Table 48MPC5 (XX and HH Units)

Two Units	Three Units		Four Units		Five Units	
9+24	6+6+24	9+12+18	6+6+6+18	6+9+18+30	6+6+6+6+9	6+6+12+12+12
9+30	6+6+30	9+12+24	6+6+6+24	6+12+12+12	6+6+6+6+12	6+6+12+12+18
9+36	6+6+36	9+12+30	6+6+6+30	6+12+12+18	6+6+6+6+18	6+6+12+12+24
12+24	6+9+24	9+12+36	6+6+6+36	6+12+12+24	6+6+6+6+24	6+6+12+18+18
12+30	6+9+30	9+18+18	6+6+9+18	6+12+12+30	6+6+6+6+30	6+9+9+9+9
12+36	6+9+36	9+18+24	6+6+9+24	6+12+18+18	6+6+6+6+36	6+9+9+9+12
18+18	6+12+18	9+18+30	6+6+9+30	6+12+18+24	6+6+6+9+9	6+9+9+9+18
18+24	6+12+24	9+18+36	6+6+9+36	9+9+9+9	6+6+6+9+12	6+9+9+9+24
18+30	6+12+30	9+24+24	6+6+12+12	9+9+9+12	6+6+6+9+18	6+9+9+9+30
18+36	6+12+36	9+24+30	6+6+12+18	9+9+9+18	6+6+6+9+24	6+9+9+12+12
24+30	6+18+18	12+12+12	6+6+12+24	9+9+9+24	6+6+6+9+30	6+9+9+12+18
24+36	6+18+24	12+12+18	6+6+12+30	9+9+9+30	6+6+6+9+36	6+9+9+12+24
30+30	6+18+30	12+12+24	6+6+12+36	9+9+9+36	6+6+6+12+12	6+9+9+18+18
	6+18+36	12+12+30	6+6+18+18	9+9+12+12	6+6+6+12+18	6+9+12+12+12
	6+24+24	12+12+36	6+6+18+24	9+9+12+18	6+6+6+12+24	6+9+12+12+18
	6+24+30	12+18+18	6+6+18+30	9+9+12+24	6+6+6+12+30	6+9+12+12+24
	9+9+18	12+18+24	6+6+24+24	9+9+12+30	6+6+6+18+18	6+12+12+12+12
	9+9+24	12+18+30	6+9+9+12	9+9+18+18	6+6+6+18+24	6+12+12+12+18
	9+9+30	12+24+24	6+9+9+18	9+9+18+24	6+6+9+9+9	9+9+9+9+9
	9+9+36	18+18+18	6+9+9+24	9+12+12+12	6+6+9+9+12	9+9+9+9+12
	9+12+12	18+18+24	6+9+9+30	9+12+12+18	6+6+9+9+18	9+9+9+9+18
			6+9+9+36	9+12+12+24	6+6+9+9+24	9+9+9+9+24
			6+9+12+12	9+12+12+30	6+6+9+9+30	9+9+9+12+12
			6+9+12+18	9+12+18+18	6+6+9+12+12	9+9+9+12+18
			6+9+12+24	9+12+18+24	6+6+9+12+18	9+9+9+12+24
			6+9+12+30	12+12+12+12	6+6+9+12+24	9+9+12+12+12
			6+9+12+36	12+12+12+18	6+6+9+12+30	9+9+12+12+18
			6+9+18+18	12+12+12+24	6+6+9+18+18	9+12+12+12+12
			6+9+18+24	12+12+18+18	6+6+9+18+24	12+12+12+12+12



MPC-SYS

Combination Table 55MPC5 (XX and HH Units)

Two Units	Three Units		Four Units			Five Units		
9+30	6+6+24	9+18+24	6+6+6+18	6+9+12+24	9+9+12+30	6+6+6+6+12	6+6+9+12+36	6+9+12+12+24
9+36	6+6+30	9+18+30	6+6+6+24	6+9+12+30	9+9+12+36	6+6+6+6+18	6+6+9+18+18	6+9+12+12+30
12+24	6+6+36	9+18+36	6+6+6+30	6+9+12+36	9+9+18+18	6+6+6+6+24	6+6+9+18+24	6+12+12+12+12
12+30	6+9+24	9+24+24	6+6+6+36	6+9+18+18	9+9+18+24	6+6+6+6+30	6+6+9+18+30	6+12+12+12+18
12+36	6+9+30	9+24+30	6+6+9+18	6+9+18+24	9+9+18+30	6+6+6+6+36	6+6+12+12+12	6+12+12+12+24
18+18	6+9+36	9+24+36	6+6+9+24	6+9+18+30	9+9+18+36	6+6+6+9+9	6+6+12+12+18	6+12+12+12+30
18+24	6+12+18	12+12+12	6+6+9+30	6+9+18+36	9+12+12+12	6+6+6+9+12	6+6+12+12+24	9+9+9+9+9
18+30	6+12+24	12+12+18	6+6+9+36	6+12+12+12	9+12+12+18	6+6+6+9+18	6+6+12+12+30	9+9+9+9+12
18+36	6+12+30	12+12+24	6+6+12+12	6+12+12+18	9+12+12+24	6+6+6+9+24	6+6+12+12+36	9+9+9+9+18
24+30	6+12+36	12+12+30	6+6+12+18	6+12+12+24	9+12+12+30	6+6+6+9+30	6+6+12+18+18	9+9+9+9+24
24+36	6+18+18	12+12+36	6+6+12+24	6+12+12+30	9+12+12+36	6+6+6+9+36	6+6+12+18+24	9+9+9+9+30
30+30	6+18+24	12+18+18	6+6+12+30	6+12+12+36	9+12+18+18	6+6+6+12+12	6+6+12+18+30	9+9+9+9+36
30+36	6+18+30	12+18+24	6+6+12+36	6+12+18+18	9+12+18+24	6+6+6+12+18	6+9+9+9+9	9+9+9+12+12
	6+18+36	12+18+30	6+6+18+18	6+12+18+24	9+12+18+30	6+6+6+12+24	6+9+9+9+12	9+9+9+12+18
	6+24+24	12+18+36	6+6+18+24	6+12+18+30	12+12+12+12	6+6+6+12+30	6+9+9+9+18	9+9+9+12+24
	6+24+30	12+24+24	6+6+18+30	6+12+18+36	12+12+12+18	6+6+6+12+36	6+9+9+9+24	9+9+9+12+30
	6+24+36	12+24+30	6+6+18+36	9+9+9+9	12+12+12+24	6+6+6+18+18	6+9+9+9+30	9+9+12+12+12
	9+9+18	12+24+36	6+6+24+24	9+9+9+12	12+12+12+30	6+6+6+18+24	6+9+9+9+36	9+9+12+12+18
	9+9+24	18+18+18	6+9+9+12	9+9+9+18	12+12+12+36	6+6+9+9+9	6+9+9+12+12	9+9+12+12+24
	9+9+30	18+18+24	6+9+9+18	9+9+9+24	12+12+18+18	6+6+9+9+12	6+9+9+12+18	9+9+12+12+30
	9+9+36	18+18+30	6+9+9+24	9+9+9+30	12+12+18+24	6+6+9+9+18	6+9+9+12+24	9+12+12+12+12
	9+12+18	18+18+36	6+9+9+30	9+9+9+36	12+12+18+30	6+6+9+9+24	6+9+9+12+30	9+12+12+12+18
	9+12+24	18+24+24	6+9+9+36	9+9+12+12	12+18+18+18	6+6+9+9+30	6+9+9+12+36	9+12+12+12+24
	9+12+30	18+24+30	6+9+12+12	9+9+12+18	12+18+18+24	6+6+9+9+36	6+9+9+18+18	12+12+12+12+12
	9+12+36	24+24+24	6+9+12+18	9+9+12+24	18+18+18+18	6+6+9+12+12	6+9+9+18+24	12+12+12+12+18
	9+18+18					6+6+9+12+18	6+9+9+18+30	12+12+12+12+24
						6+6+9+12+24	6+9+12+12+12	12+12+12+18+18
						6+6+9+12+30	6+9+12+12+18	





2480 Grand Avenue

Vista, CA 92081

Phone (760) 670-3005

Fax (760) 670-3307

www.multimfg-usa.com